

SCC1000/SCL1000 LUMINAIRE CONTROLLER INSTALLATION INSTRUCTIONS

OPERATING VOLTAGE:

SCL1000 - 120VAC/5 AMPS

SCC1000 -277VAC/347VAC, 5 AMPS/3AMPS

Wiring must comply with all applicable electrical codes. Turn off power before removing or installing controller.

WARNING: THIS IS A CURRENT RATED DEVICE. USE IN APPLICATIONS INVOLVING AMPERAGE BEYOND ITS RATING CAN BE DANGEROUS AND CAUSE ELECTRICAL FIRES.

WARNING: RISK OF FIRE OR ELECTRICAL SHOCK. CONVERSION KIT INSTALLATION REQUIRES KNOWLEDGE OF FLUORESCENT AND LED LIGHTING LUMINAIRES ELECTRICAL SYSTEMS. IF NOT QUALIFIED, DO NOT ATTEMPT INSTALLATION. CONTACT A QUALIFIED ELECTRICIAN.

WARNING: ONLY THOSE OPEN HOLES INDICATED IN THE PHOTOGRAPHS AND/OR DRAWINGS MAY BE MADE OR ALTERED AS A RESULT OF KIT INSTALLATION. DO NOT LEAVE ANY OTHER OPEN HOLES IN AN ENCLOSURE OF WIRING OR ELECTRICAL COMPONENTS.

WARNING: TO PREVENT WIRING DAMAGE OR ABRASION, DO NOT EXPOSE WIRING TO EDGES OF SHEET METAL OR OTHER SHARP OBJECTS.

WARNING: RISK OF FIRE OR ELECTRIC SHOCK. INSTALL THIS KIT ONLY IN THE LUMINAIRES THAT HAVE THE CONSTRUCTION FEATURES AND DIMENSIONS SHOWN IN THE DRAWINGS AND WHERE THE INPUT RATING OF THE RETROFIT KIT DOES NOT EXCEED THE INPUT RATING OF THE LUMINAIRE.

THIS RETROFIT KIT IS ACCEPTED AS A COMPONENT OF A LUMINAIRE WHERE THE SUITABILITY OF THE COMBINATION SHALL BE DETERMINED BY AUTHORITIES HAVING JURISDICTION.

TERMINOLOGY:

LINE: Incoming power feed from premise wiring

LOAD: Power output from Luminaire Controller to ballast AC power input

DIM: 0-10 VDC dimming control output from Luminaire Controller to ballast dimming input

LIST OF MATERIALS:

1. SCC1000 or SCL1000 Luminaire Controller
2. Installation Instructions

Figure A

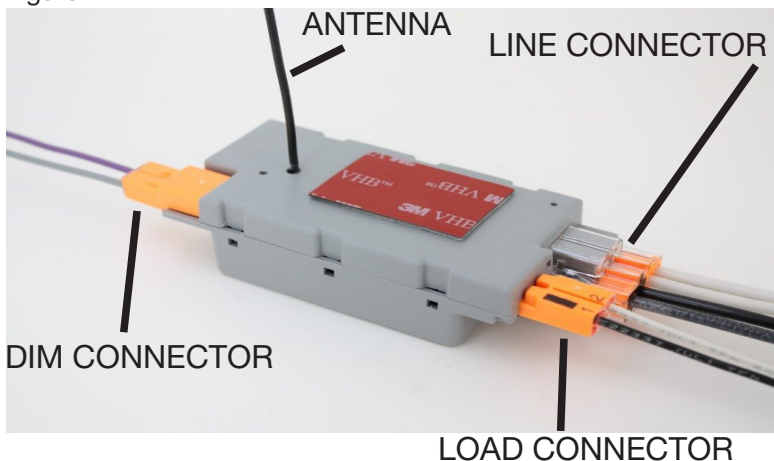
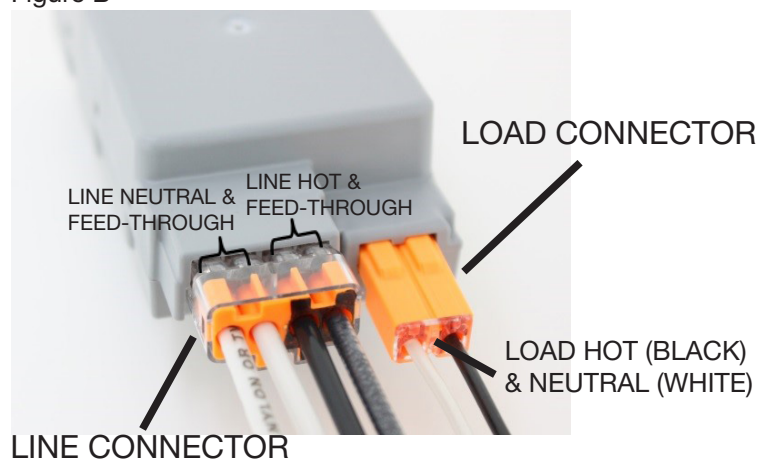


Figure B



AUDACY®

WIRING DIAGRAM

Exhibit 1:

FIXTURE BEFORE RETROFIT:

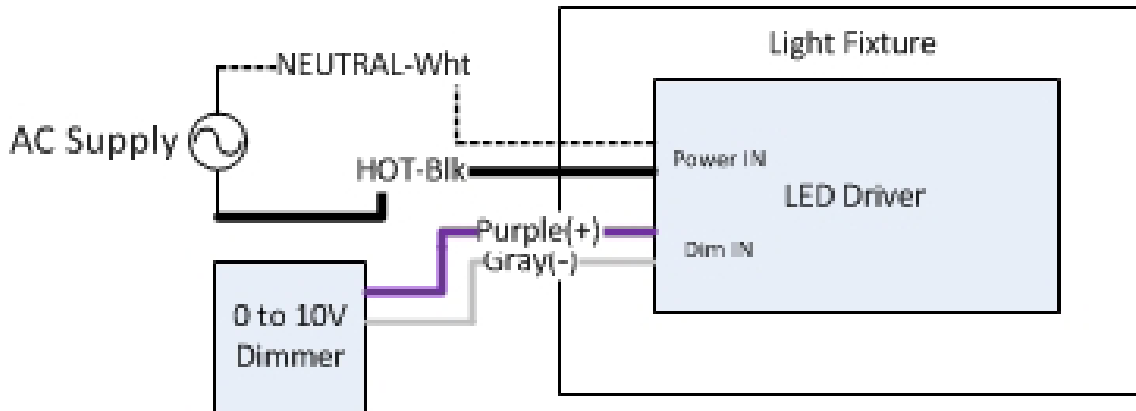
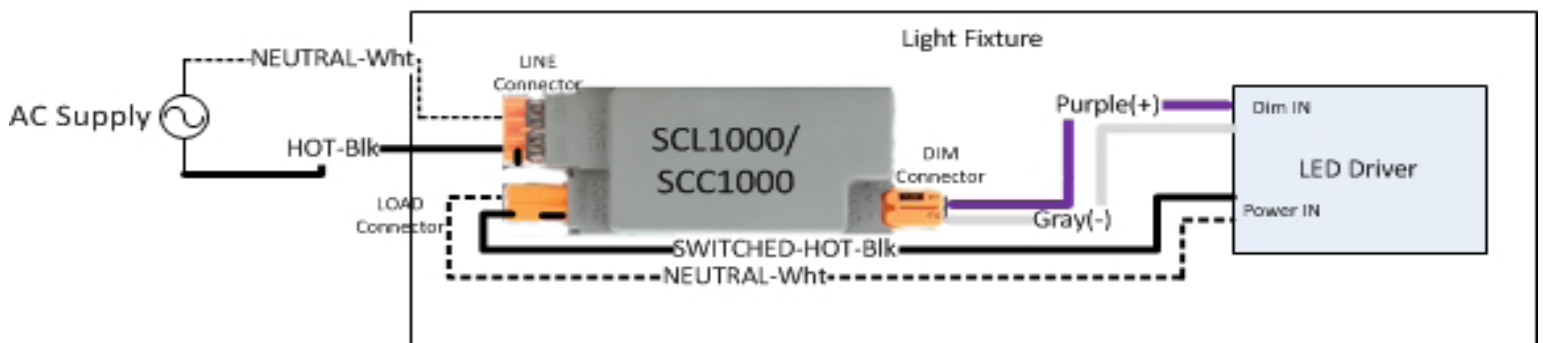


Exhibit 2:

FIXTURE CONFIGURATION AFTER RETROFIT:



CONNECTING THE WIRES:

ALL CONNECTORS: Use only one conductor per port and ensure that no copper is exposed on any of the wires after installation.

LINE CONNECTOR:

The LINE Connector accepts 12 AWG-18 AWG copper conductors, solid or stranded. (19 strands or less for 12 AWG-16 AWG, 7 strands or less for 18 AWG)

1. Strip wires to 1/2 inch.
2. Grip LINE hot wire and firmly push conductor into one of the black LINE ports. See Fig. B.
3. Grip LINE neutral wire and firmly push conductor into one of the unmarked LINE ports. See Fig. B.
4. For feed-through (i.e. "daisy-chain") installations, insert the LINE hot feed-through conductor into the other black line port. Insert the LINE neutral feed-through conductor into the other unmarked LINE port. See Fig. B.
5. After LINE wire installation, the power supply can safely be disconnected and re-connected without re-installing the wires. To disconnect the power supply, firmly grip the LINE connector and pull to separate it from the main body of the Luminaire Controller. To reconnect, simply push the LINE connector into the corresponding port on the Luminaire Controller.

AUDACY®

LOAD CONNECTOR:

The LOAD Connector accepts 18 AWG copper conductors, solid or stranded (16 strands or less).

1. Strip wires to 3/8 inch.
2. Grip the LOAD hot wire and firmly push conductor into the port marked with the black stripe. See Fig. B.
3. Grip the LOAD neutral wire and firmly push conductor into the unmarked port. See Fig. B.
4. For feed-through (i.e. “daisy-chain”) installations, insert the LINE hot feed-through conductor into the other black line port. Insert the LINE neutral feed-through conductor into the other unmarked LINE port. See Fig. B.
5. After LOAD wire installation, the load can safely be disconnected and re-connected without re-installing the wires. To disconnect the load, firmly grip the LOAD connector and pull to separate it from the main body of the Luminaire Controller. To reconnect, simply push the LOAD connector into the corresponding port on the Luminaire Controller.

DIM CONNECTOR:

The DIM Connector accepts 18 AWG copper conductors, solid or stranded (16 strands or less).

1. Strip wires to 3/8 inch.
2. Grip positive/(+)/purple DIM conductor and firmly push into the port marked “1”. See Fig. C.
3. Grip negative/(-)/gray DIM conductor and firmly push into the port marked “2”. See Fig. C.
4. After DIM wire installation, the DIM connector can safely be disconnected and re-connected without re-installing the wires. To disconnect the DIM connector, firmly grip it and pull to separate it from the main body of the Luminaire Controller. To reconnect, simply push the DIM connector into the corresponding port on the Luminaire Controller.

Figure C

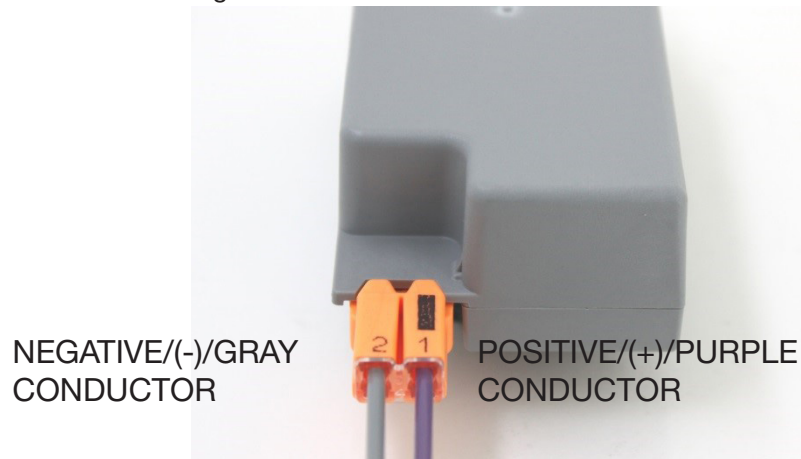
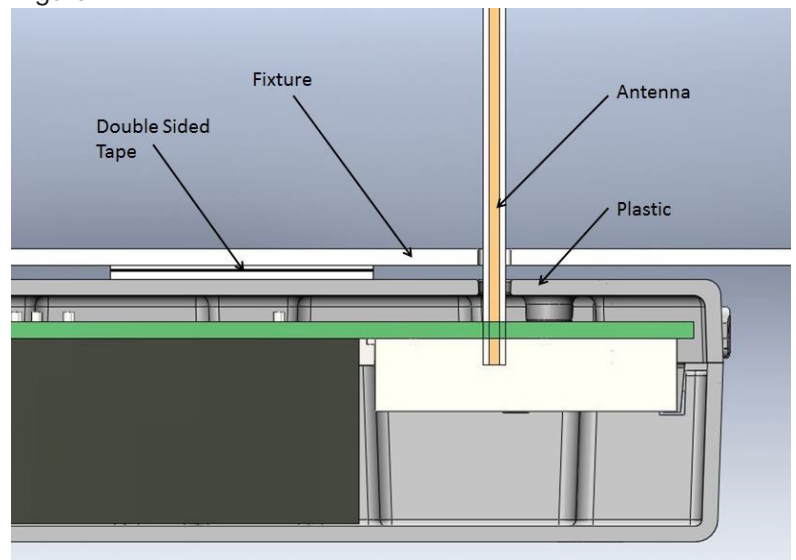


Figure D

INSTALLING LUMINAIRE CONTROLLER INTO THE FIXTURE:

1. After properly installing all wires per the instructions, fully extend the antenna. See Fig. A.
2. Remove the backing of the double-sided tape on the SCC1000/SCL1000, exposing the adhesive.
3. Insert the antenna through an available open hole in the fixture trough, making sure that as much of the antenna extends into the plenum space above the fixture as possible. See Fig. D.
4. Firmly press the controller into place.



www.audacywireless.com | 1.800.273.9989 | contactus@audacywireless.com

AUDACY®

BE AUDACIOUS

www.audacywireless.com 800-273-9989
contactus@audacywireless.com
1375 Park Avenue, Sycamore, IL 60178, U.S.A.

