

## LOW VOLTAGE DC EMERGENCY RELAY SWITCH

ESCGRID-EM

The Audacity® Low Voltage DC (LVDC) Emergency Relay Switch is UL924 certified to switch from regular power to emergency power for Low Voltage DC LED driver loads. The ESCGRID-EM quickly and easily installs using an on-grid plastic clip that attaches it to the Armstrong Ceilings® DC FlexZone™ energized ceiling grid. The ESCGRID-EM provides the ability to control individual E/M fixtures or groups of E/M fixtures if desired.

### HOW IT WORKS

The Audacity LVDC Emergency Relay Switch is used when an emergency fixture is being controlled by an Audacity LVDC Grid-Mount Controller. Your electrical installer mounts this to the LVDC Grid-Mount Luminaire Controller, which is attached to a portion of the DC FlexZone ceiling grid rail. Once wired, the ESCGRID-EM can be tested on a monthly basis by pressing the Test button.

### BECAUSE TIME IS MONEY

As with all Audacity Wireless Controls system components, the ESCGRID-EM vastly reduces installation time and costs in Low Voltage DC applications versus a typical wired system alternative.

The Audacity Wireless Controls system can be used to provide compliance with ASHRAE 90.1-2016 and CA Title 24 requirements.

**AUDACY BY IDEAL®:  
CUTTING COSTS.  
CUTTING EDGE.**

IDEAL has been a leading manufacturer of quality electrical products for over one hundred years. Crafted at the intersection of simple and innovative, our new Audacity Wireless Controls system.

**AUDACY®**  
WIRELESS LIGHTING CONTROL  
YOUR WORLD IN A BETTER LIGHT

# LOW VOLTAGE DC EMERGENCY RELAY SWITCH

ESCGRID-EM

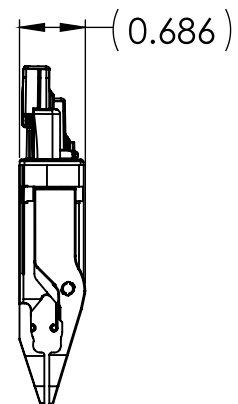
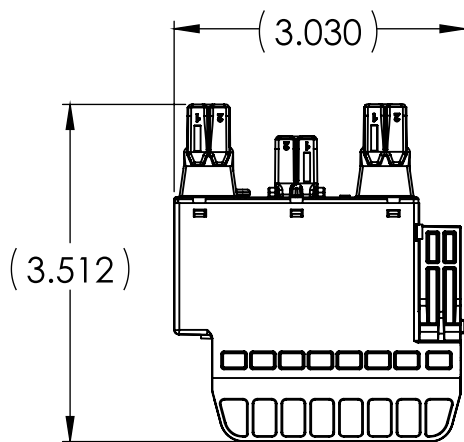


On the DesignLights Consortium™ Qualified Products List

## SPECIFICATIONS

ITEM	DESCRIPTION
Regulatory Approvals	UL 924 (Emergency Lighting and Power Equipment) UL 2577 (Suspended Ceiling Power Grid Systems) CSA-C22.2 No. 141-02, Standard for Unit Equipment
Operation	Transfers Emergency Power to a Fixture when Regular Power is Lost
Input Voltage	24VDC
Rated Current	2A Maximum Rating
Rated Load Wattage	48W@24VDC Maximum
Operating Temperature	-4°F to 158°F (-20°C to 70°C)
Installation Environment	Indoor use only
Mounting	Directly to DC FlexZone™ Grid
Dimming Wire Placement	PWM Dimming Protocols Sent Through E/M Connector
Color	Tan
Dimensions	3" x .75" x 3" (76.2mm x 19.05mm x 76.2mm)
Weight	1.6 oz (45.4g)
Warranty	5 year
Catalog Number	59-ESCGRID-EM
Description	Audacy Low Voltage DC Emergency Relay Switch

## MECHANICAL DIMENSIONS (INCHES)



CONTACT US TODAY FOR A CONSULTATION

1.800.273.9989

CONTACTUS@AUDACYWIRELESS.COM

AUDACYWIRELESS.COM

**AUDACY**  
WIRELESS LIGHTING CONTROL  
YOUR WORLD IN A BETTER LIGHT

A DIVISION OF IDEAL INDUSTRIES, INC.

AUDACY | 2