



## WALL-MOUNT MOTION SENSOR

VSW1300

The Wall-Mount Motion Sensor is a battery-powered, passive infrared motion sensor that can be used to detect occupancy and/or vacancy, and turn on, turn off or dim lights based on preferences input into the Audacy system. The VSW1300 requires no wiring and has a 25-year battery life.

### HOW IT WORKS

The Audacy Wall-Mount Motion Sensors detect movement via sensitive infrared technology and then relay commands – based on intervals of absence or activity – to system-enabled fixtures. Operating in the highly reliable 915 MHz spectrum, the Wall-Mount versions of the Audacy Motion Sensors require no wiring and can be placed virtually anywhere a motion sensor is desired, for convenience or coverage.

### PEOPLE MOVE - LIGHT SHOULD TOO

Your inputs to the Audacy Interface inform the system that determines which groups of light fixtures – equipped with Audacy Luminaire Controllers – can turn off/on, dim or brighten based on employee migration throughout the day.

The Audacy Wireless Controls system can be used to provide compliance with ASHRAE 90.1-2016 and CA Title 24 requirements.

### AUDACY BY IDEAL®: CUTTING COSTS. CUTTING EDGE.

IDEAL has been a leading manufacturer of quality electrical products for over one hundred years. Crafted at the intersection of simple and innovative, our new Audacy Wireless Controls system.

**AUDACY**  
WIRELESS LIGHTING CONTROL  
YOUR WORLD IN A BETTER LIGHT

# WALL-MOUNT MOTION SENSOR

VSW1300

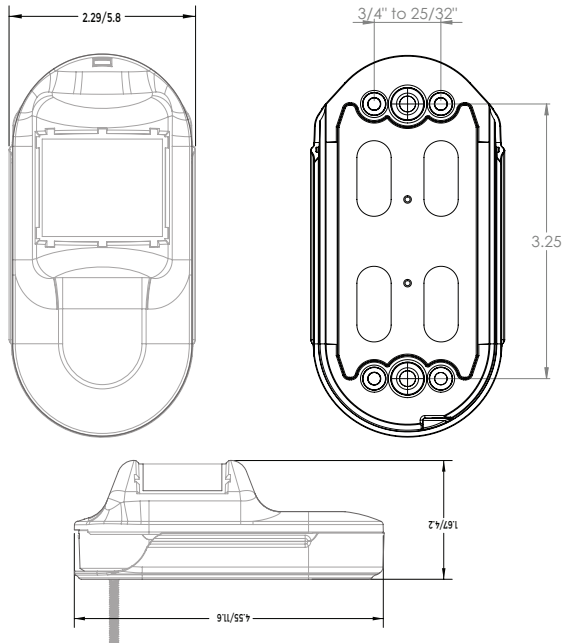


On the DesignLights Consortium™ Qualified Products List

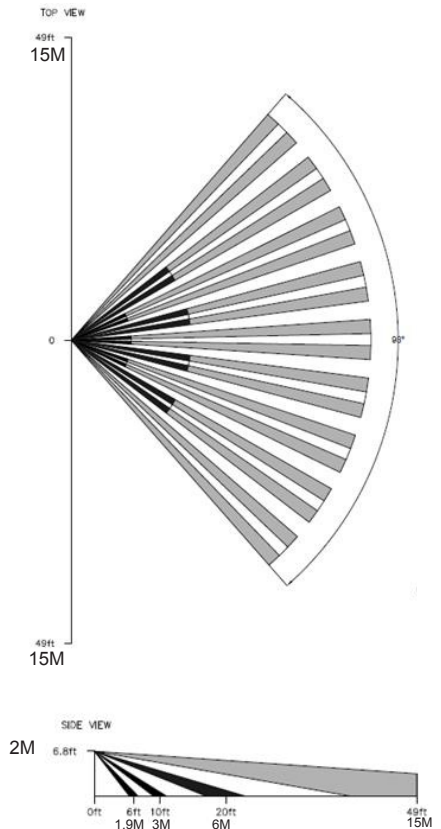
## SPECIFICATIONS

ITEM	DESCRIPTION
Radio Frequency Range	902–928 MHz, Dual Channel, Internal Antenna
Wireless Protocol	Proprietary based on IEEE 802.15.4
Encryption	Proprietary based on AES encryption
Regulatory Approvals	FCC Part 15 and Industry Canada FCC ID: 2AAMXVSW1300 IC: 11250A-VSW1300
Transmit Power	2 dBm short duration, utilizing direct sequence spread spectrum
Transmit Range	100 ft. (30m) indoors to an Audacy Gateway or Luminaire Controller in a typical commercial building; extended range when repeater mode enabled
Power	25+ year battery, non-replaceable
Operating Temperature	50°F to 104°F (10°C to 40°C)* *Battery life may be reduced if operated at higher temperatures
Sensor Technology	Passive Infrared
Installation Environment	Indoor use only
Mounting	2 bracket mounting holes (See mechanical drawing for dimensions)
Color	White
Dimensions	4.55" x 2.29" x 1.67" (115.82mm x 58.17mm x 24.42mm)
Weight	3.0 oz (85g)
Warranty	5 year
Catalog Number	59-VSW1300
Description	Audacy® Wall-Mount Motion Sensor

## MECHANICAL DIMENSIONS (INCHES/CM)



## COVERAGE PATTERN (FT & M)



[AUDACYWIRELESS.COM](http://AUDACYWIRELESS.COM)

CONTACT US TODAY FOR A CONSULTATION

1.800.273.9989

[CONTACTUS@AUDACYWIRELESS.COM](mailto:CONTACTUS@AUDACYWIRELESS.COM)