



The Wall-Mount Switch fits into a decorator-style faceplate and can be used to replace an existing switch. The switch requires no wiring, has a 25-year battery life and wirelessly sends commands to control light fixtures equipped with Audacy Luminaire Controllers. The WMS1200 version has On/Off and 0-10V dimming capabilities, while the WMS1201 is just an On/Off switch.

ADAPTABILITY AT YOUR FINGERTIPS

Used in conjunction with the Audacy Wireless Controls system, the Wall-Mount Switch permits onsite employees to customize their lighting environments by overriding the master inputs of your Audacy Interface. The Wall-Mount Switch turns lights on or off and enables 0-10V dimming.

BECAUSE TIME IS MONEY

As with all Audacy Wireless Controls system components, the Audacy Wall-Mount Switch vastly reduces installation time and costs versus a typical wired system alternative. And you have the flexibility to place it anywhere you choose because there are no wires to run.

The Audacy Wireless Controls system can be used to provide compliance with ASHRAE 90.1-2016 and CA Title 24 requirements.

**AUDACY BY IDEAL®:
CUTTING COSTS.
CUTTING EDGE.**

IDEAL has been a leading manufacturer of quality electrical products for over one hundred years. Crafted at the intersection of simple and innovative, our new Audacy Wireless Controls system.

AUDACY®
WIRELESS LIGHTING CONTROL
YOUR WORLD IN A BETTER LIGHT

WALL-MOUNT SWITCH

WMS1200

WMS1201

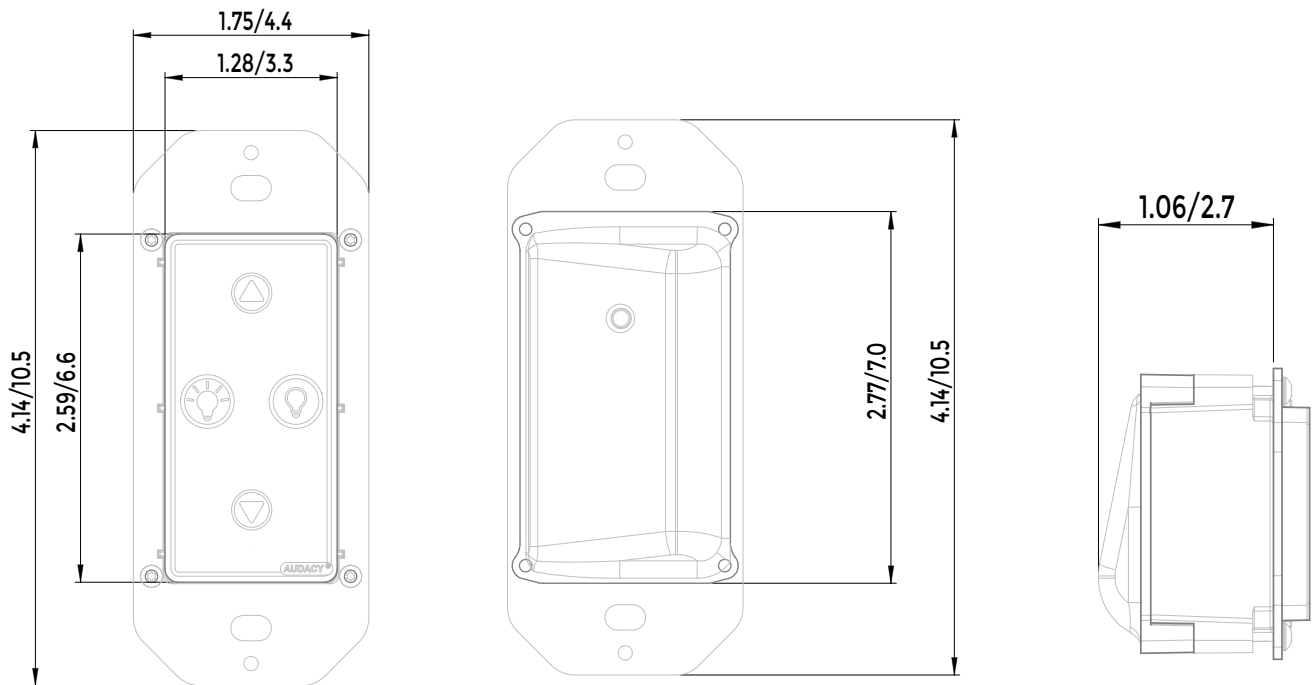


On the DesignLights Consortium™ Qualified Products List

SPECIFICATIONS

ITEM	DESCRIPTION
Radio Frequency Range	902–928 MHz, Dual Channel, Internal Antenna
Wireless Protocol	Proprietary based on IEEE 802.15.4
Encryption	Proprietary based on AES encryption
Regulatory Approvals	FCC Part 15 and Industry Canada FCC ID: 2AAMXWMS1200(1201) IC: 11250A-WMS1200 (1201)
Transmit Power	2 dBm short duration, utilizing direct sequence spread spectrum
Transmit Range	100 ft. (30m) indoors to an Audacy Gateway or Luminaire Controller in a typical commercial building; extended range when repeater mode enabled
Power	25+ year battery, non-replaceable
Operating Temperature	50°F to 104°F (10°C to 40°C)* *Battery life may be reduced if operated at higher temperatures
Installation Environment	Indoor use only
Mounting	In switch box, decorator-style faceplate
Color	White
Dimensions	4.14" x 1.75" x 0.76" (69.6mm x 61.5mm x 106.7mm)
Weight	3.0 oz (85g)
Warranty	5 year
Catalog Number	59-WMS1200/59-WMS1201
Description	Audacy® Wall- Mount Switch/Audacy On-Off Wall-Mount Switch

MECHANICAL DIMENSIONS (INCHES/CM)



CONTACT US TODAY FOR A CONSULTATION

1.800.273.9989

CONTACTUS@AUDACYWIRELESS.COM

AUDACYWIRELESS.COM

AUDACY®

WIRELESS LIGHTING CONTROL

YOUR WORLD IN A BETTER LIGHT

A DIVISION OF HICAL INDUSTRIES, INC.

AUDACY | 2